

ANEMOMETER

HLD-AM 600H



Marine Anemometer

Specification

Graphical Display	8 inch TFT 800x600 pixels
Brightness Adjustment	Multilevel Adjustable
Data Output	NMEA0183 Data Output
Direction Accuracy	±1°
Direction Range	0~359°
Speed Accuracy	0.1m/s
Speed Range	1.2~60m/s
Startup Wind Speed	≤1.2m/s
Power Supply	AC220V/DC24V、≤5W
Operating Temperature	-25°C~+55°C
Protection	Display IP23 Sensor IP56
Weight	9kg

Mounting dimensions

Flush Mounting

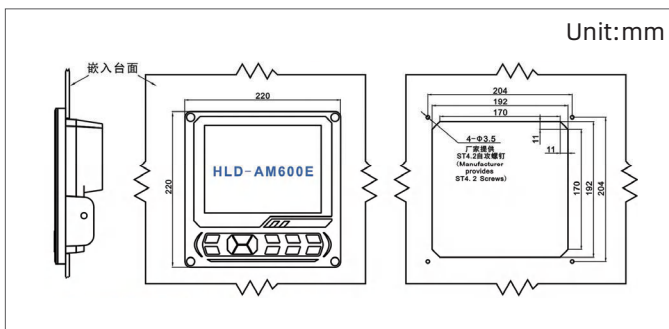
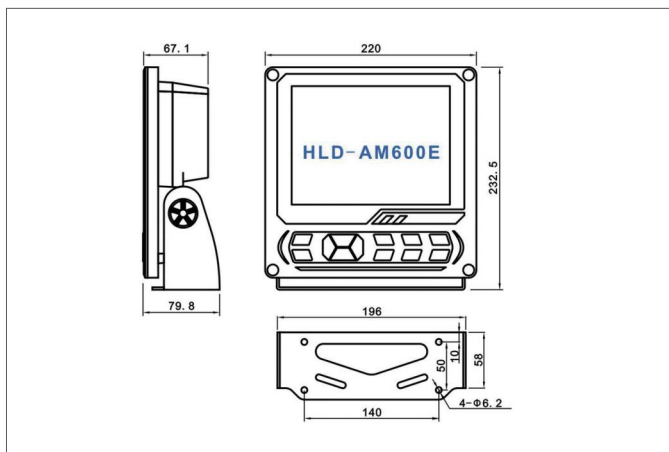


Table Mounting

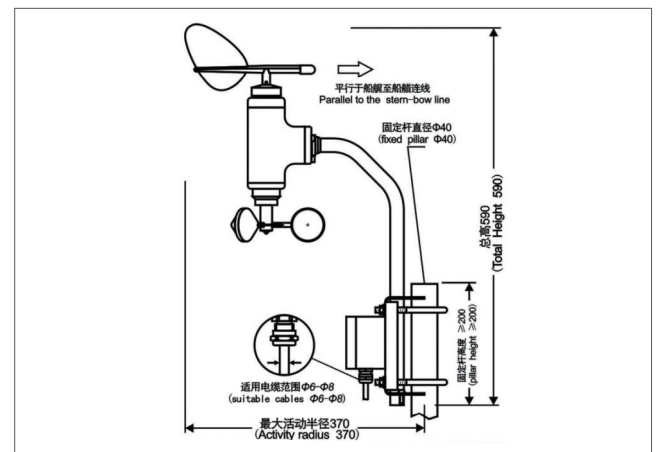


HLD-AM600H
wind sensor



HLD-AM600E
8inch
Anemometer
Display

Sensor Mounting



24 Hours
服务热线

Tel: 400 088 3335 / +86 513 8058 2906
E-mail: radar@highlander.com.cn
service@highlander.com.cn

Jiangsu Highland Integration Technology Co., Ltd.
Jiangsu Tusuo Ocean Technology Co., Ltd.

Add: No. 199, Qingfeng Road, Sutong Science & Technology Industrial Park, Nantong City, Jiangsu Province, China
Tel: +86 513 80582989 Fax: +86 513 80582929 Website: www.highlander.com.cn Post code: 226017