

# ANEMOMETER

HLD-AM 600UH



## Marine Anemometer



## Specification

Graphical Display	8 inch TFT 800×600 pixels
Brightness Adjustment	Multilevel Adjustable
Data Output	NMEA0183 Data Output
Direction Accuracy	±3°
Direction Range	0~359°
Speed Accuracy	0.1m/s
Speed Range	0~60m/s
Power Supply	AC220V/DC24V ≤22W (Heating)
Operating Temperature	-40°C~ +60°C
Anti-icing	Sensor Heatable Function
Protection	Display IP23 Sensor IP65
Weight	2.2kg



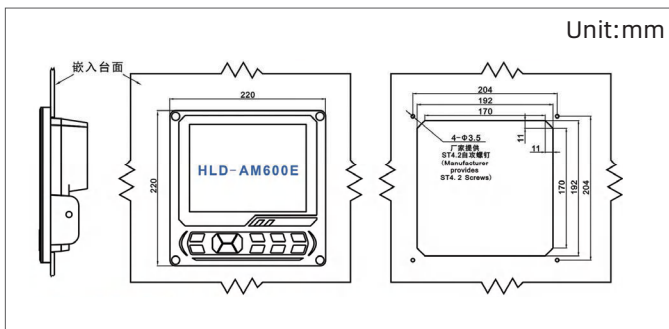
Ultrasonic  
Wind Sensor  
with a Heater



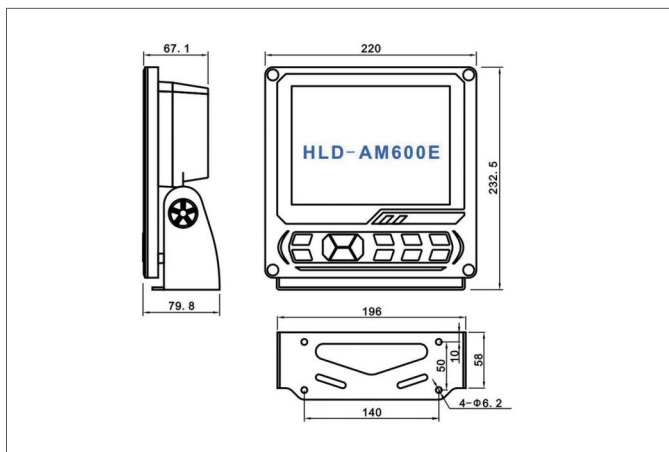
HLD-AM600E  
8inch Anemometer Display

## Mounting dimensions

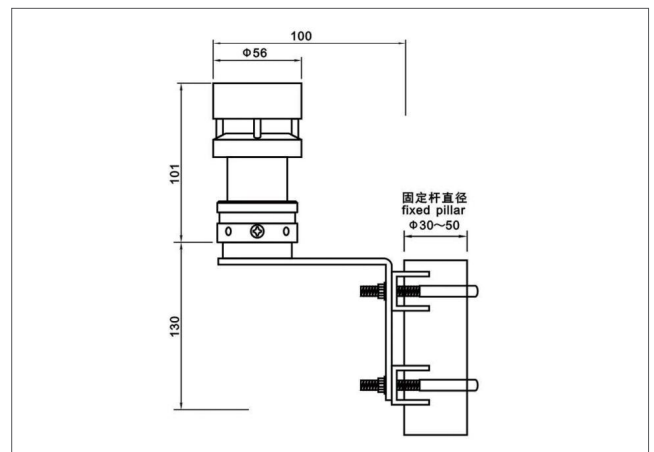
### Flush Mounting



### Table Mounting



### Sensor Mounting



**24** Hours  
服务热线

Tel: 400 088 3335 / +86 513 8058 2906  
E-mail: radar@highlander.com.cn  
service@highlander.com.cn

**Jiangsu Highland Integration Technology Co., Ltd.**  
**Jiangsu Tusuo Ocean Technology Co., Ltd.**

Add: No. 199, Qingfeng Road, Sutong Science & Technology Industrial Park, Nantong City, Jiangsu Province, China

Tel: +86 513 80582989

Fax: +86 513 80582929

Website: www.highlander.com.cn

Post code: 226017