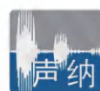
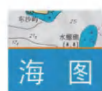


# AIS

HLD-AS 100



# Automatic Identification System



## Functional Characteristics

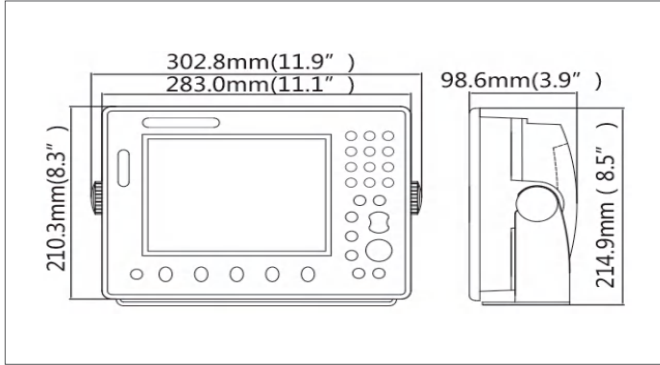
- Built-in high sensitivity GPS receiver board with accurate positioning, adopting advanced and independent R&D technology of high stable navigational speed and course.
- GPS, Chart, Tide, Compass, etc, Internal AIS collision avoidance system, can be connected with the echo sounder, fish finder and wireless AIS fishing net buoy, Flash quickstart technology, stable performance.
- Autonomous access the AIS wireless network after power on, T9 numeric keypad and shortcut keys, supports pinyin and stroke Chinese character input, comfortable usage.
- Aerospace-grade, all-weather professional true-colour TFT LCD, suitable for navigation in the sun and at night;
- Rapidly update by external SD card that is fully supported the system, chart and the update of the extended functions.
- Certification of Marine Product (Class-B) by China Classification Society (CCS); Complies with AIS Class-B shipborne equipment standard (IEC 62287-1)
- Certified by Register of Fishing Vessel of The People's Republic of China

## Technical Specification

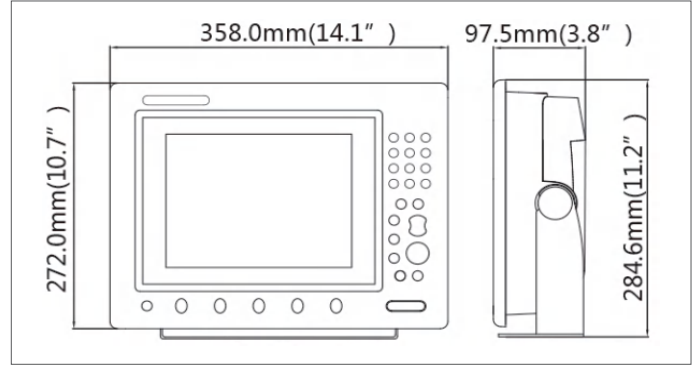
Model	HLD-AS 100 (8'')	HLD-AS 100 (10'')	HLD-AS 100 (12'')	HLD-AS 100 (15'')
Voltage	DC 24V(12-40V)			
Power Consumption	≤20W			
Power	High-performance, fully isolated, PWM control of power supply			
Waterproof grade	IP45			
Display Unit				
Type	8'' TFT LCD	10'' TFT LCD	12'' TFT LCD	15'' TFT LCD
Resolution	800x600	800x600	800x600	1024x768
Language	Simplified Chinese, Traditional Chinese, English			
Plotter Characteristics				
Data Storage(Local+SD card)	Waypoints: ≥10000 Marks: ≥20000 Routes: ≥200, (48 waypoints per route) Tracks: ≥800, (points ≥20000)			
Data Display	Suspension data: Information of ship's latitude and longitude, fish zone, speed, course; Navigation information of waypoints and routes; Time, date and so on			
Other Function	Tide and Compass Pages; AIS Display and Alarm, AIS Message, Vessel Management (If input AIS)			
GNSS Characteristics (customized GPS+Beidou)				
Receive Type	Gps/Glonass/Galileo/Beidou Support: WAAS/EGNOS/MSAS/GAGAN			
Receive Channel	Gps: 1575.42MHz(L1) Beidou: 1561.098MHz(L)			
Acquisition Time	Cold start: ≤45s Hot start: <3s			
Accuracy	≤15m			
Interface				
Input/Output SD	Gps/Beidou(GGA, GLL, GSA, GSV, RMC, VTG), Compass(HDT), Autopilot(HTD), AIS(VDM)			
SD Card	Rapid program upgrade, chart data import/export Automatic storage of the ship track ≥1 year, a specific area surrounding ship tracks ≥3 months			
AIS Performance				
Frequency	AIS 1: 87B/161.975MHz AIS 2: 88B/162.025MHz			
Bandwidth	25KHz			
Output Power	2W			
Modulation	GMSK			

## Installation Dimension

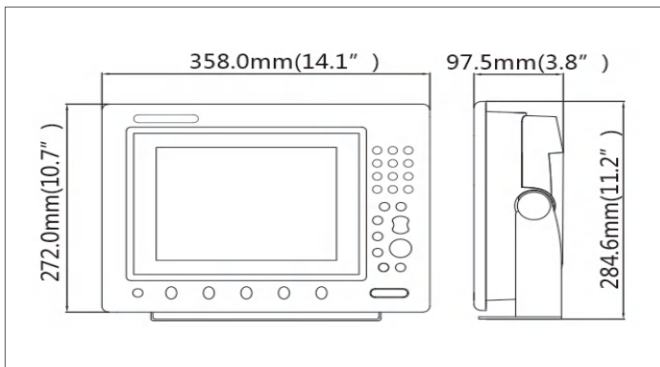
■ 8"



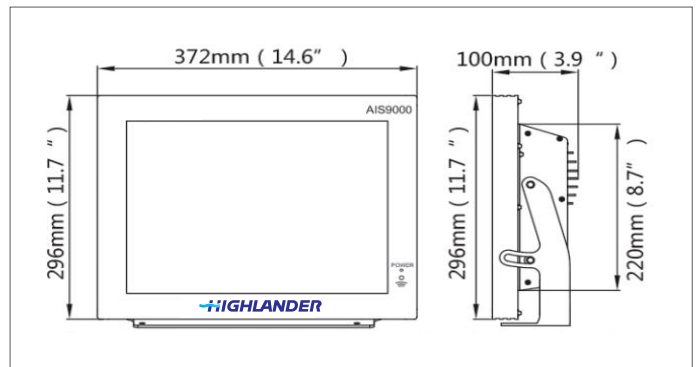
■ 10"



■ 12"



■ 15"



**24 Hours**  
服务热线

Tel: 400 088 3335 / +86 513 8058 2906  
E-mail: radar@highlander.com.cn  
service@highlander.com.cn

**Jiangsu Highland Integration Technology Co., Ltd.**  
**Jiangsu Tusuo Ocean Technology Co., Ltd.**

Add: No.199, Qingfeng Road, Sutong Science & Technology Industrial Park, Nantong City, Jiangsu Province, China  
Tel: +86 513 80582989 Fax: +86 513 80582929 Website: www.highlander.com.cn Post code: 226017