

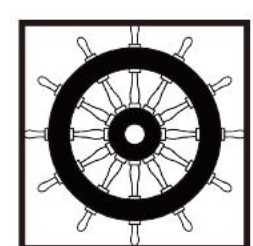
HIGHLANDER

# VDR<sup>+</sup>

## HLD-VDR 600/SVDR 600



# Voyage Data Recorder



## » PRODUCT OVERVIEW

- HLD-VDR 600/SVDR 600 are Highlander's best and most stable voyage data recorder to date. It is the fruition of nearly two decades of endeavor in the challenging field of maritime black boxes and embodies the wealth of experience gained from VDRs fitted in thousands of seagoing vessels around the World.
- HLD-VDR 600 /SVDR 600 fully meets the requirements of IMO A.861(20),MSC.333(90),IEC 61996-1:2013,IEC 61996-2,IMO MSC.494(104), IMO MSC.493(104) and IEC 60945 and carries DNV-GL, RS, CCS and other certifications.

## » PRODUCT FEATURES

- |                             |   |
|-----------------------------|---|
| <b>High reliability:</b>    | Linux system for stability.   |
| <b>Easy Installation:</b>   | compact size offers easy and quick installation   |
| <b>Scalability:</b>         | Flexible configurations including choice of non-standard Data Acquisition modules.  |
| <b>Suitability:</b>         | suitable for all types of vessels.  |
| <b>Optional interfaces:</b> | LAN/DVI/VGA/other interfaces for the ECDIS,RADAR.   |
| <b>Protected data:</b>      | Encryption for data integrity protection.   |
| <b>Log records:</b>         | Logs all events including configuration enabling remote fault diagnosis.  |
| <b>Value to owners:</b>     | Records can be transmitted to fleet managers in conjunction with Highlander VMS via internet for evaluation,analysis of incidents and training. |



## » TECHNICAL SPECIFICATIONS

### [ Main Unit(MU) ]

- Power input:AC110/220V、 50-60Hz;DC 24V
- Consumption:<150W
- Reserve battery:7AH for not less than 2 hours usgae
- Inputs:Audio:5x audio channels;8x Microphones input;2x VHF audio input
- Ethernet:10x Ethernet channels (100Mbps) for ECDIS, RADAR, etc.
- Integral Long Term Recording Storage Medium
- Dimensions (LxWxH):600x450x235mm
- Weight:27kg
- Installation:Wall or bulkhead mounting
- IP Proection:IP22
- Working temperature:-15°C ~ 55°C

### [ Operation Unit (OPU) ]

- Display:High definition touch screen LCD,(800x480 Pixel)
- Human-Machine Interface:User friendly interface, displays all the warnings and alarms
- Data Back Up function
- Dimension(LxWxH):166.4x164.4x70mm
- Weight:0.5kg
- Installation:Flush mounting
- IP Protection:IP22
- Working temperature:-15°C ~ 55°C

### [ Long-term Data Recording Unit ]

- Integrated in the Main Unit
- Memory capacity:512GB
- Operating system:Linux OS
- Recording Speed:100Mbps
- Working temperature:-15°C ~ 55°C

### [ Float-free Data Recording Capsule ]

- Recording time:not less than 48h
- Memory Capacity:32GB
- Operation System:Linux OS
- Standards:IMO A.662(16),IEC 61996-2(2013),
- Release mechanism:Auto-release when 4m underwater.
- COSPAS-SARSAT EPIRB:Complies with IMO Res A.810 (19);
- IEC 61097-2;IEC 61096-7 and ITU-RM.633-3:2004 regulations.
- Watertight:up to 10M underwater
- Drop height:20 meters
- IP Protection:IP56
- Option:-55°C~70°C

### [ Fixed Protective Data Recording Capsule ]

- Recording time:not less than 48h
- Memory Capacity:32GB
- Operation System:Linux OS
- Standards:IEC 61996-2(2013)
- Dimension(DxH):Φ180x240(mm);
- Weight:17kg
- Option:-55°C~70°C

### [ Assembly Microphone(AM) ]

- Frequency Range:100Hz-12kHz
- Installation:Flush mounting (Indoor)or Wall Mounting (Outdoor)
- IP Protection:IP22 for indoor units and IP56 for outdoor units
- Integrated built-in self-test function
- High clarity and quality sensor
- Dimension(LxWxH):115x67x33.7 mm(indoor)  
139x81x64 mm(outdoor)
- Weight:0.4 kg(Indoor);0.5 kg(Outdoor)
- Working temperature:-15°C ~ 55°C

### [ Video Acquisition Unit ]

- Number of Video Channels:4x video channels for
- VGA inputs, high definition up to 1920x1200x60Hz
- Installation of unit can be located near to image source.
- Dimension:360x260x150mm
- Weight:8kg
- IP Protection:IP22
- Working temperature:-15°C ~ 55°C

### [ Serial Data Acquisition Unit ]

- 24xIEC 61162serial data input
- Selectable Baud rate
- Dimension (LxWxH):360x260x150mm
- Weight:8kg
- IP Protection:IP22
- Working temperature:-15°C ~ 55°C

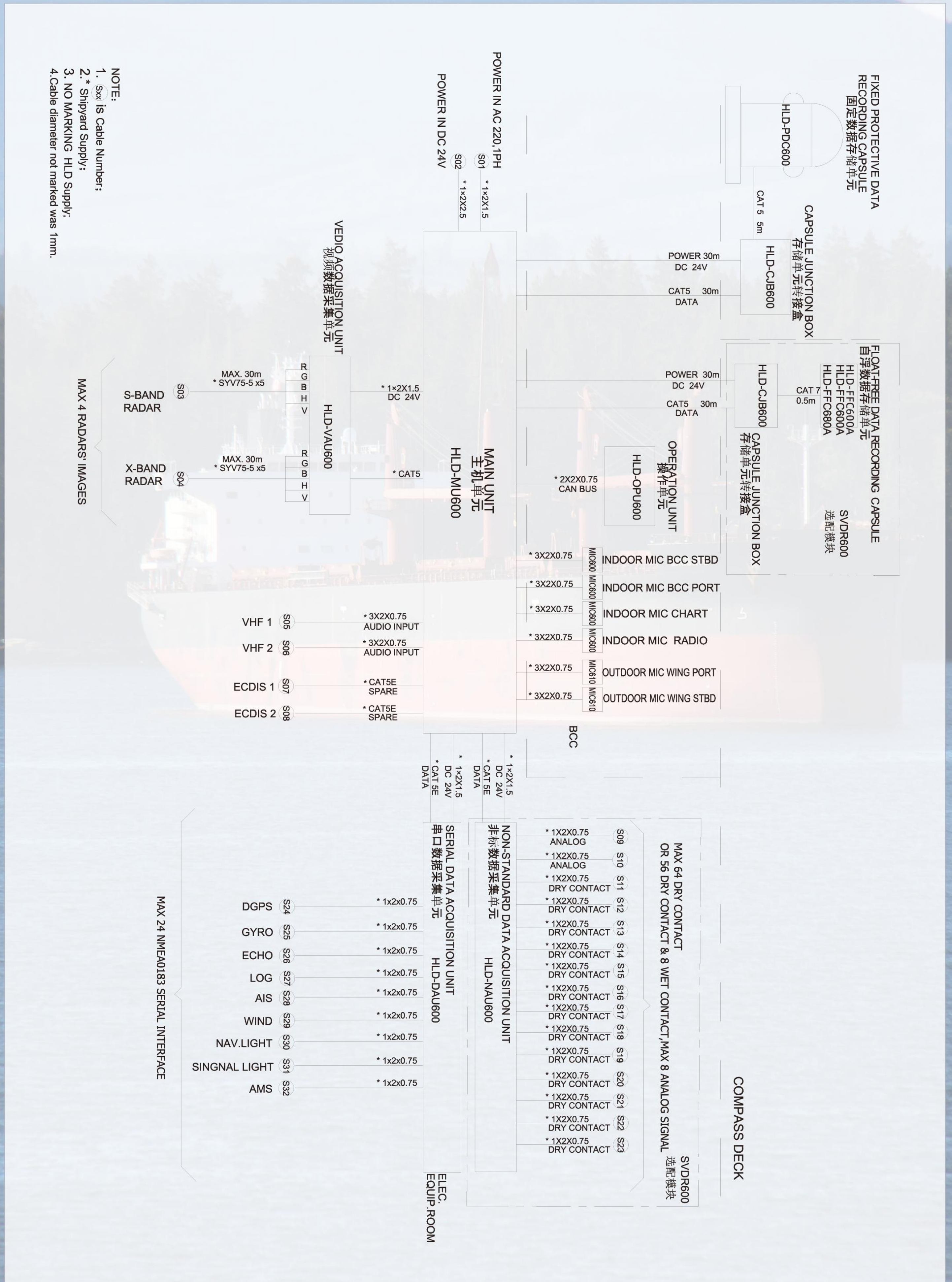
### [ Non-Standard Data Acquisition Unit ]

- 8xAnalogue Voltage or Current Inputs
- 64xON/OFF potential free contacts
- 8xON/OFF configurable active or passive contacts
- Dimension:360x260x150mm
- Weight:8kg
- IP Protection:IP22
- Working temperature:-15°C ~ 55°C

## » CONFIGURATION

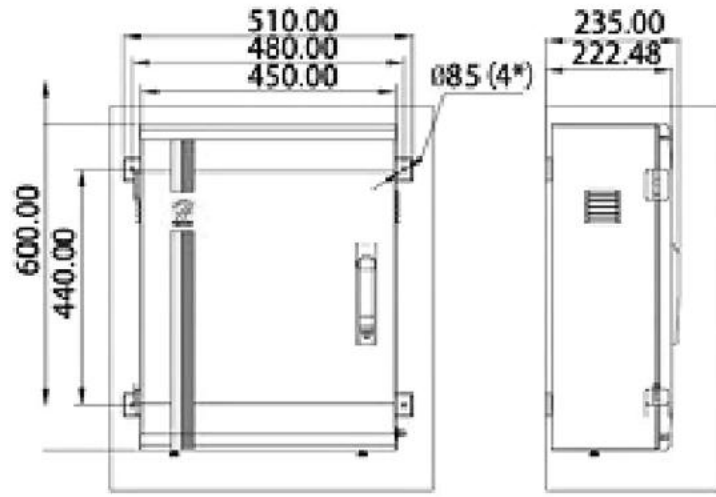
| Standard configuration |  |    |   |
|------------------------|--|----|---|
| 1                      | Main Unit HLD-MU600                                | 6  | Video Acquisition Unit HLD-VAU600             |
| 2                      | Operation Unit HLD-OPU600                          | 7  | Serial Data Acquisition Unit HLD-DAU600       |
| 3                      | Fixed Protective Data Recording Capsule HLD-PDC600 | 8  | Non-Standard Data Acquisition Unit HLD-NAU600 |
| 4                      | Float-free Data Recording Capsule HLD-FFC600A      | 9  | Microphone(Indoor) HLD-MIC600                 |
|                        | HLD-FFC660A  | 10 | Microphone(Outdoor) HLD-MIC610                |
|                        | HLD-FFC680A  |    |   |
| 5                      | Storage unit adapter box HLD-CJB600                | 11 | Playback software                             |

## SYSTEM ARCHITECTURE

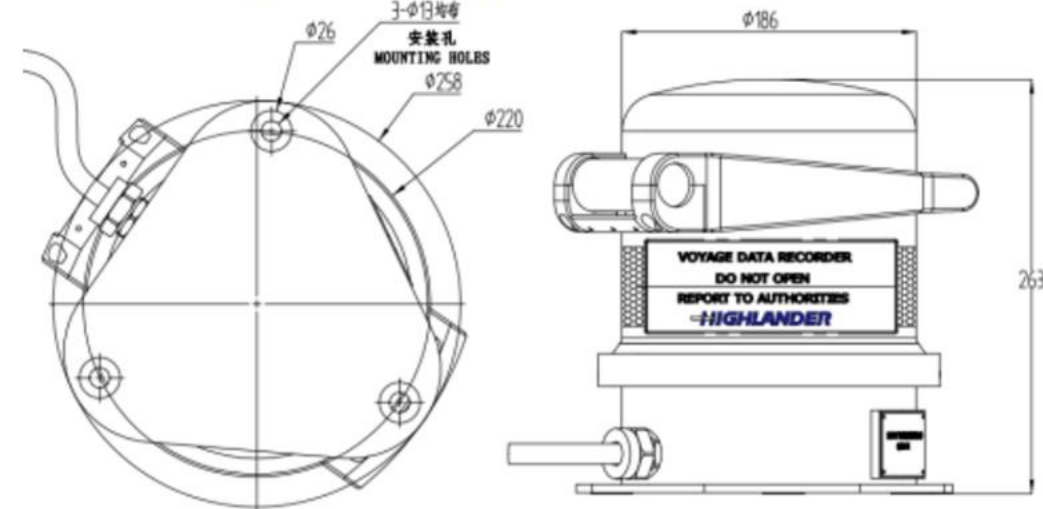


## » DIMENSIONAL DRAWINGS

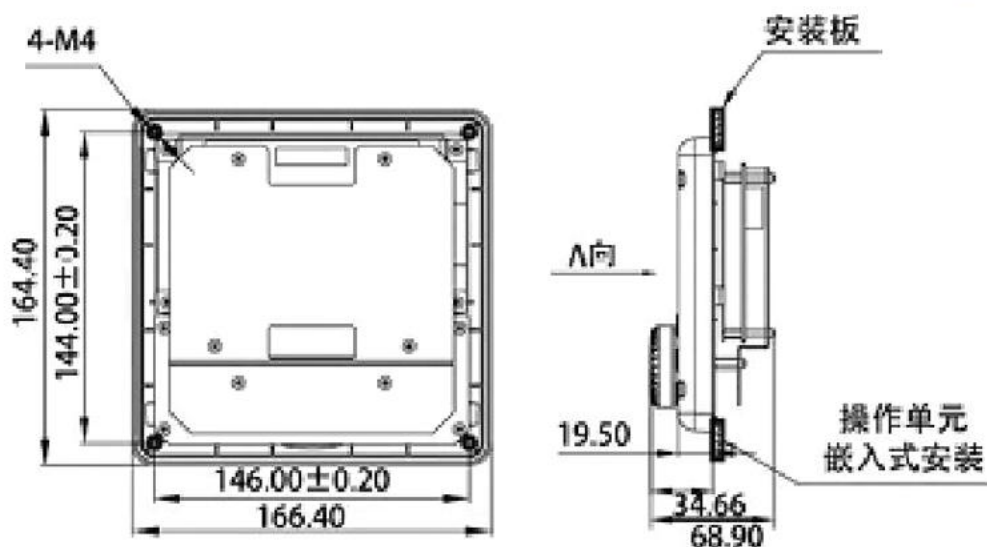
**[Main Unit HLD-MU600] 27.0kg**



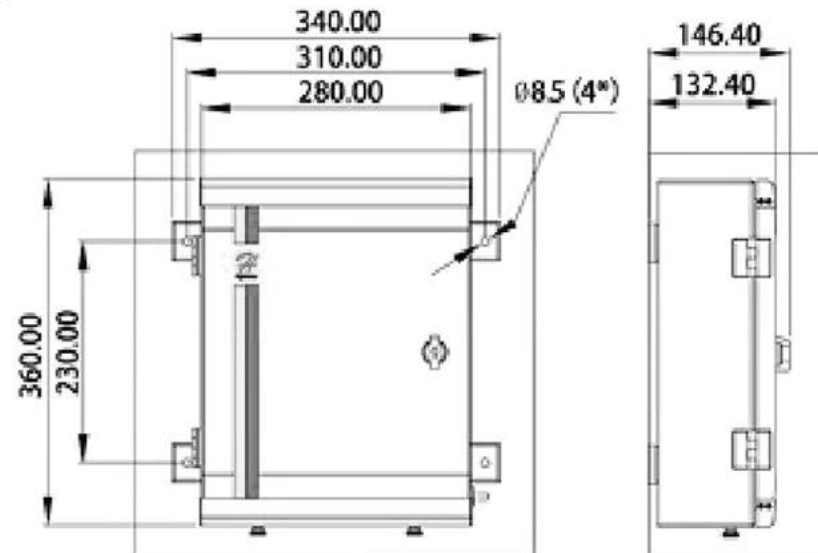
**[Fixed Protective Data Recording Capsule HLD-PDC600] 17.0kg**



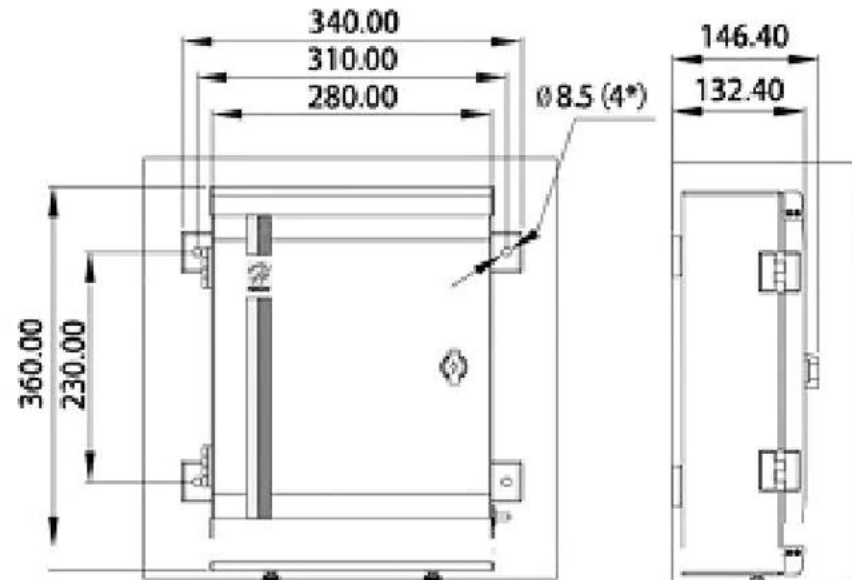
**[Operation Unit HLD-OPU600] 0.5kg**



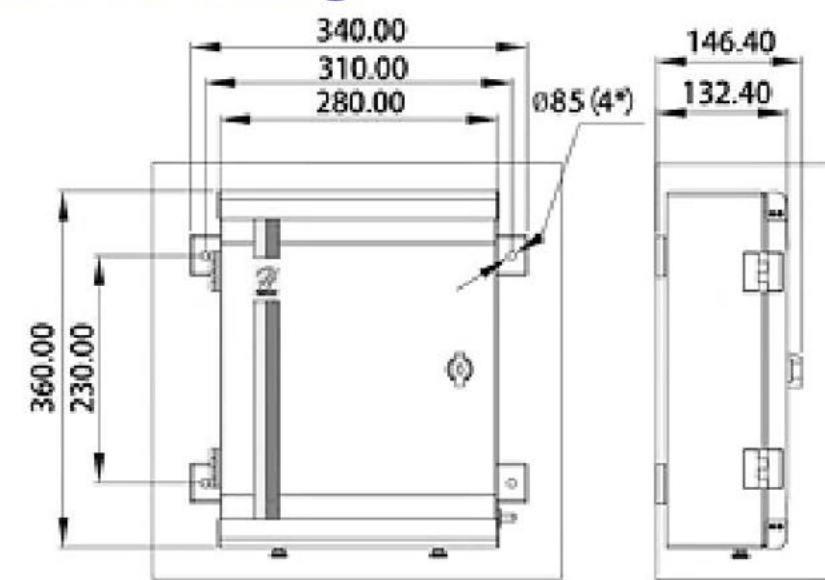
**[Video Acquisition Unit HLD-VAU600] 8.0kg**



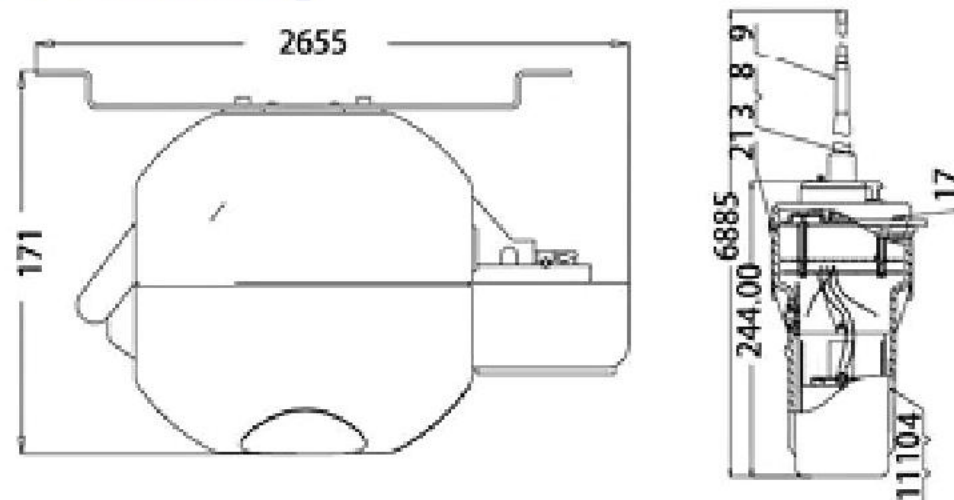
**[Serial Data Acquisition Unit HLD-DAU600] 8.0kg**



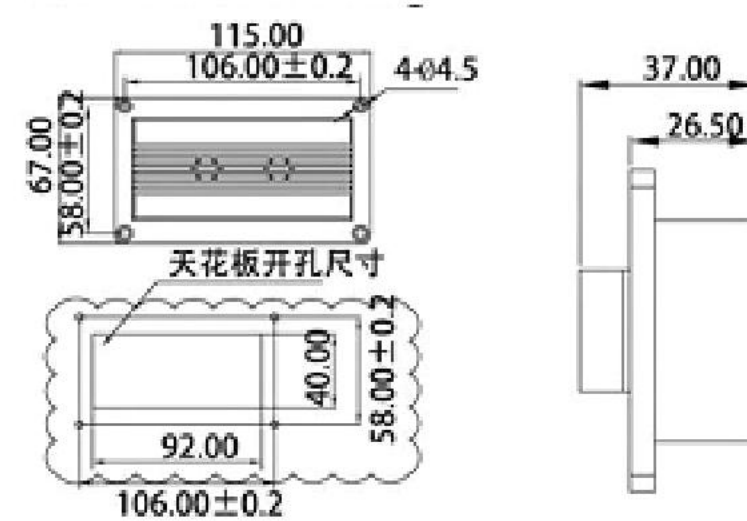
**[Non-Standard Data Acquisition Unit HLD-NAU600] 8.0kg**



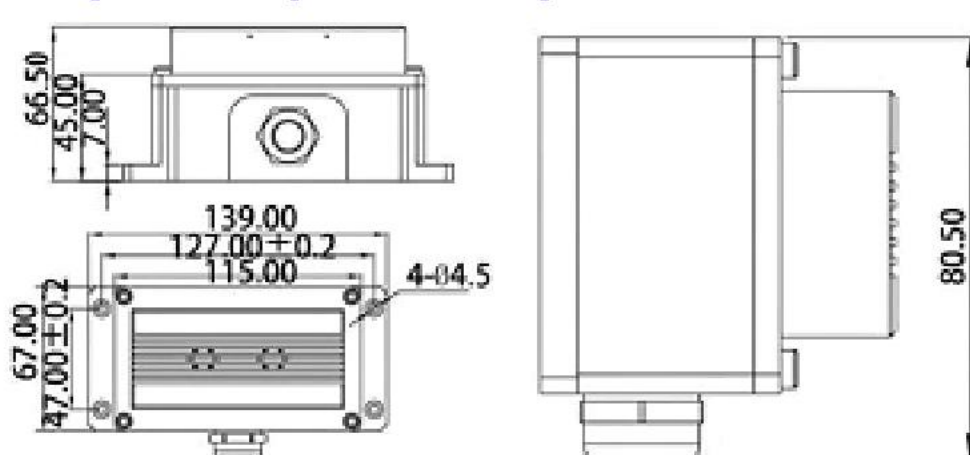
**[Float-free Data Recording Capsule HLD-FFC680A]**



**[Microphone(indoor) HLD-MIC600] 0.4kg**



**[Microphone(outdoor) HLD-MIC610] 0.5kg**





**24** Hours  
Hotline

Tel: 400 088 3335 / +86 513 8058 2906  
E-mail: radar@highlander.com.cn  
service@highlander.com.cn

## **Jiangsu Highland Integration Technology Co., Ltd. Jiangsu Tusuo Ocean Technology Co., Ltd.**

Add: No.199, Qingfeng Road, Sutong Science & Technology Industrial Park,  
Nantong City, Jiangsu Province, China

Tel: +86 513 80582989

Fax: +86 513 80582929

Website: [www.highlander.com.cn](http://www.highlander.com.cn)

Post code: 226017

The copyright in this brochure belongs to Highlander. Final product upgrades may not be as described in the brochure without notice.

Catalogue No.CA000020231116