

SPEED LOG

HLD-DSL 600



HLD-DSL601

HLD-DSL606

HLD-DSL604

HLD-DSL602

HLD-DSL603

HLD-DSL607

Doppler Speedlog

Specification

Graphical Display	8 inch TFT 800×600 pixels	Speed Accuracy	0.2kn or 2%, whichever is greater
Power Supply	AC220V、50/60Hz	Speed Range	-10kn ~ +40kn
Data Output	IEC 61162-1 VBW, VLW	Operating Temperature	-15°C~ +55°C
Trip Counter	Measurement from 0 to 9999.99NM	Humidity	10~90%Relative, no condensation
Total Counter	Measurement from 0 to 999999.99NM	Protection	Display IP23 ; BOX IP56; Sensor IP68
Distance Accuracy	0.2NM or 2%, whichever is greater	Weight	22kg

Mounting dimensions

Graphical Display DSL601

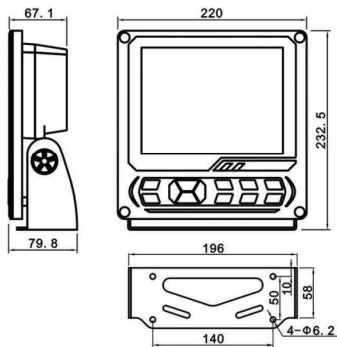
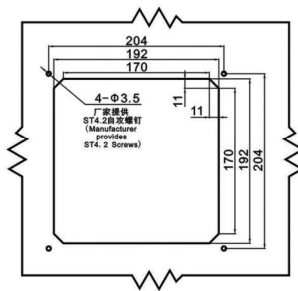
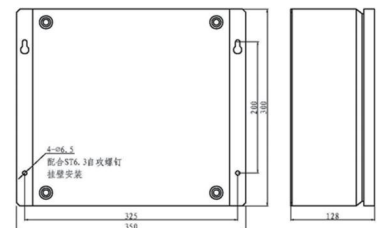


Table Mounting

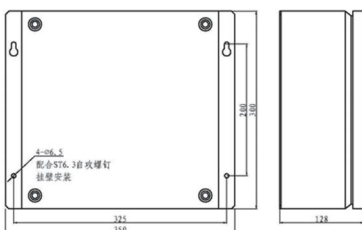


Flush Mounting

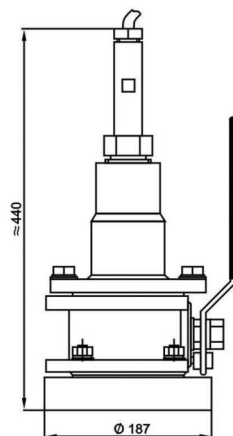
Control Unit DSL602



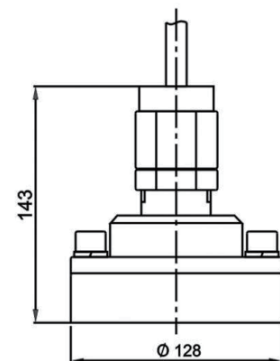
Transceiver Unit DSL603



Transducer Sea Valve DSL607



Fairing DSL606



Jiangsu Highland Integration Technology Co., Ltd.
Jiangsu Tusuo Ocean Technology Co., Ltd.

Add: No. 199, Qingfeng Road, Sutong Science & Technology Industrial Park, Nantong City, Jiangsu Province, China
Tel: +86 513 80582989 Fax: +86 513 80582929 Website: www.highlander.com.cn Post code: 226017