

HIGHLANDER

ANEMOMETER

HLD-AM 600S



Marine Anemometer



Specification

Graphical Display	8 inch TFT 800×600 pixels
Brightness Adjustment	Multilevel Adjustable
Data Output	NMEA0183 Data Output
Direction Accuracy	±1°
Direction Range	0~359°
Speed Accuracy	0.1m/s
Speed Range	1.2~60m/s
Startup Wind Speed	≤1.2m/s
Power Supply	AC220V/DC24V、≤5W
Operating Temperature	-25°C~ +55°C
Protection	Display IP23 , Sensor IP56
Weight	12kg

Mounting dimensions

Flush Mounting

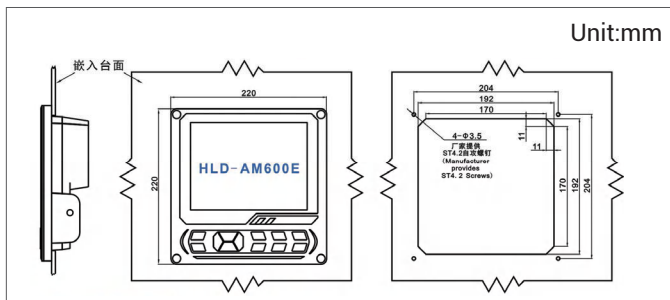
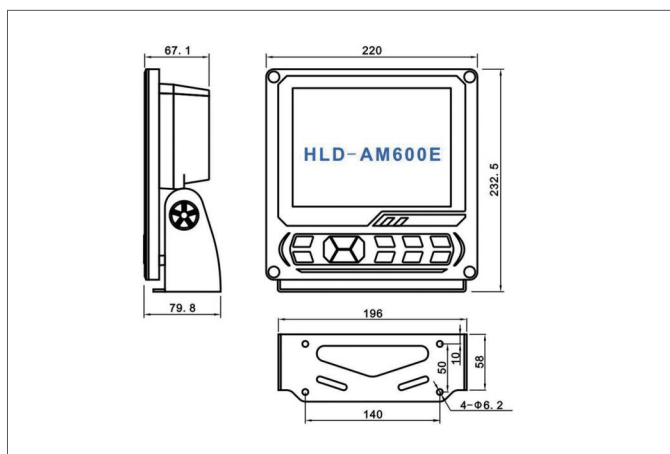


Table Mounting

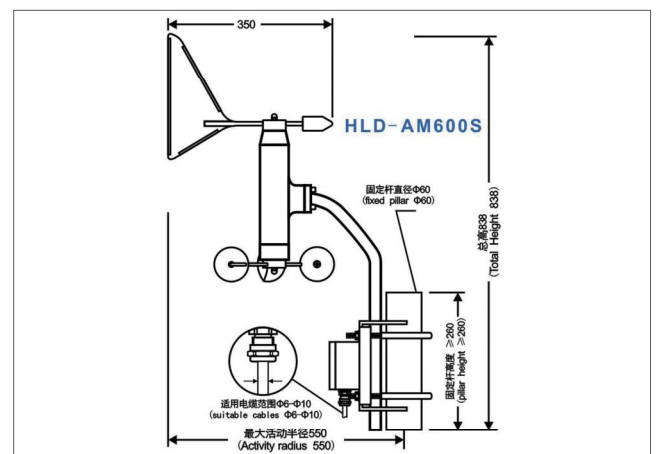


HLD-AM600S
Wind Sensor



HLD-AM600E
8inch Anemometer Display

Sensor Mounting



24 Hours
服务热线

Tel: 400 088 3335 / +86 513 8058 2906
E-mail: radar@highlander.com.cn
service@highlander.com.cn

Jiangsu Highland Integration Technology Co., Ltd.
Jiangsu Tusuo Ocean Technology Co., Ltd.

Add: No. 199, Qingfeng Road, Sutong Science & Technology Industrial Park, Nantong City, Jiangsu Province, China

Tel: +86 513 80582989

Fax: +86 513 80582929

Website: www.highlander.com.cn

Post code: 226017